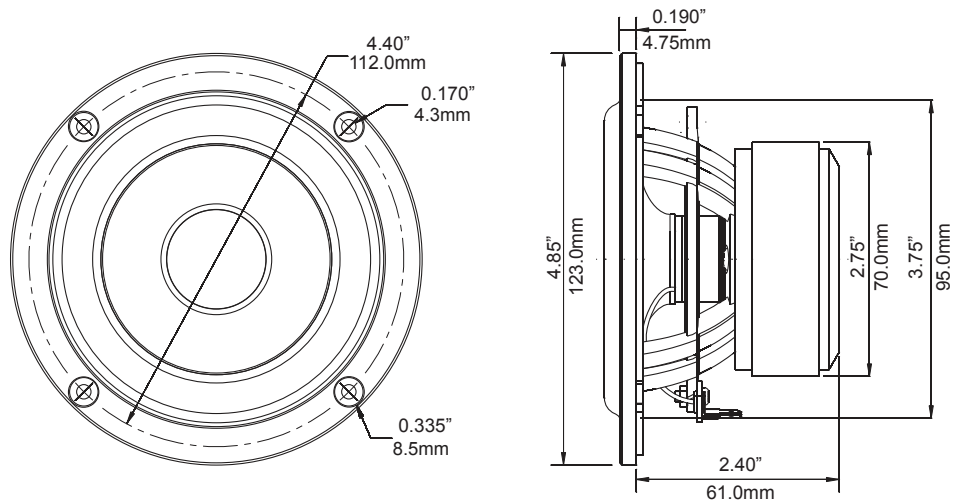


BLACK 4.0 SPECIFICATIONS AND PARAMETERS



BLACK 4.0		
Fs	58.9	Hz
Re	3.1	Ohms
Qms	3.38	
Qes	0.50	
Qts	0.43	
Mms = gr	5.0	Grams
BL	3.4	

BLACK 4.0		
SPL	85.2	dB 1 watt @ 1 meter
VAS = L	5.15	Liters
Le	1.4	Millihenry
Sd = cm ²	50.3	Square Centimeters
Xmax	5MM	
Power Handling	120 W	Music
Power Handling	60 W	RMS

