

Speaker Model: BZ40C

Cone Paper: Special rubber edge+ Aluminum

DCR Impedance: 4.0 Ω

Maximum Power: 30 W

Frequency Range: 85-15000Hz

Sensitivity 1W/1M: 88 dB

Qms: 2.4

Qes: 1.3

Qts: 0.85

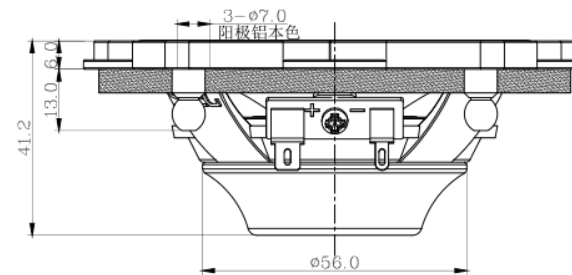
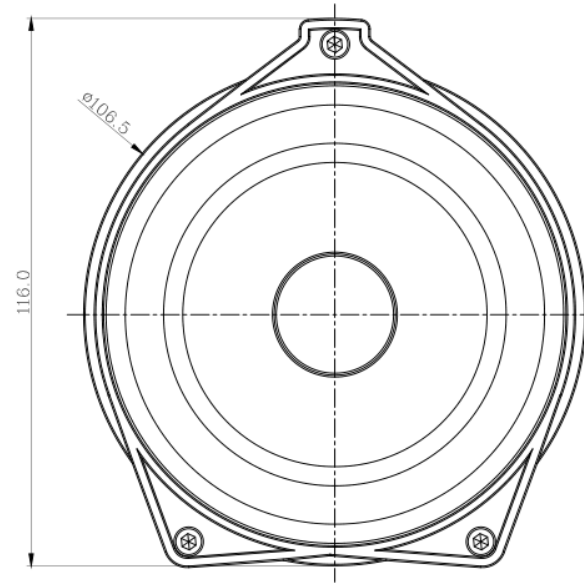
Mms: 6.45G

Vas: 2.28 L

Weight: 0.19 KG

Mounting Depth: 42.0 MM

Mounting Diameter: 106.5 MM



SPL vs Freq



Impedance vs Freq

