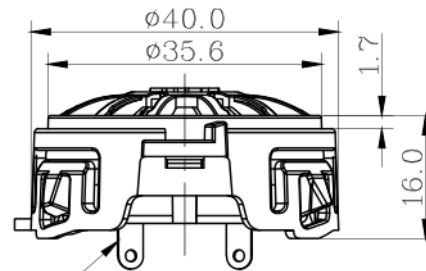
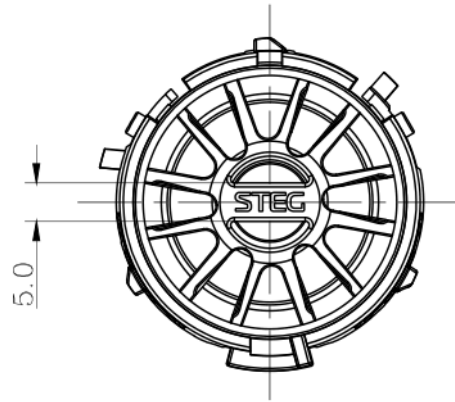


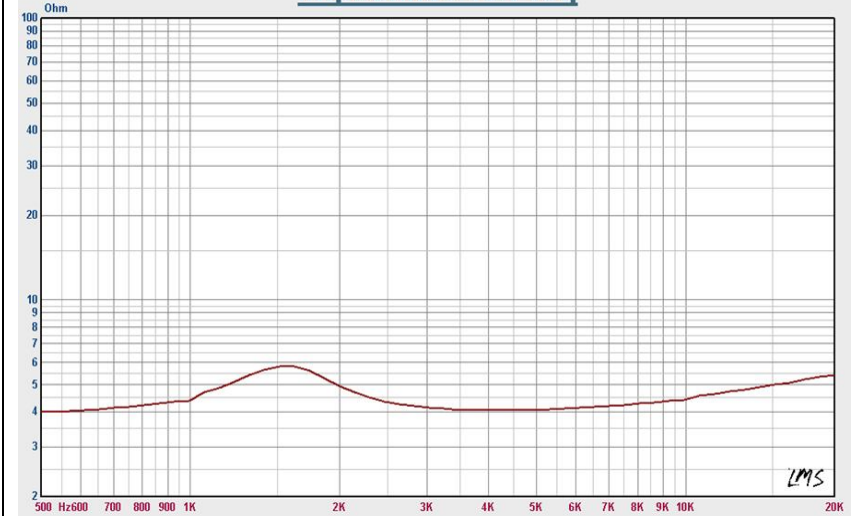
Speaker Model: BZ25

Cone material: Ceramic
DCR Impedance: 4.0 Ω
Maximum power Input: 25 W
Frequency Range: 1500-22000 Hz
Sensitivity 1W/1M: 91dB
Weight: 0.05(KG)
Mounting Depth: 18 mm
Mounting Diameter: 40mm



2*T-5029V端子
红点正极

Impedance vs Freq



SPL vs Freq

