

Speaker Model: BZW80L

Cone material: Special Paper

DCR Impedance: 2.2 Ω

Maximum power Input: 50 W

Frequency Range: 55-1500 Hz

Sensitivity 1W/1M: 90dB

Qms: 3.78

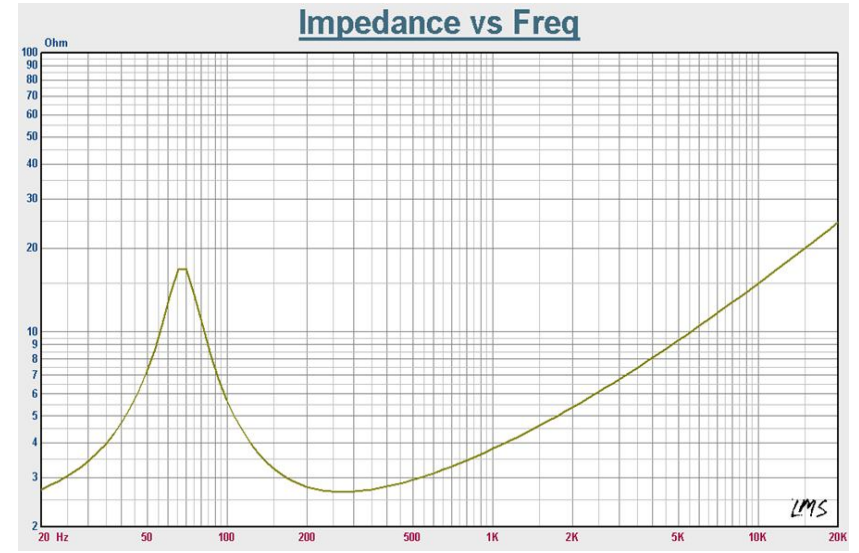
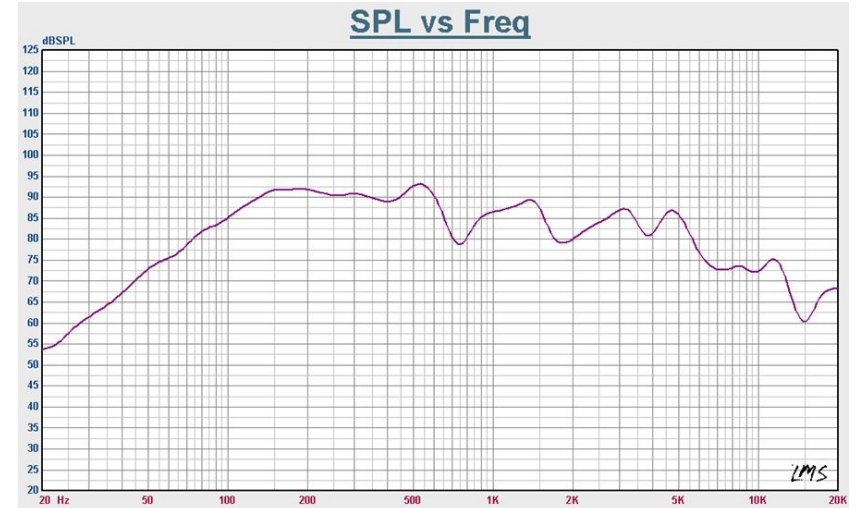
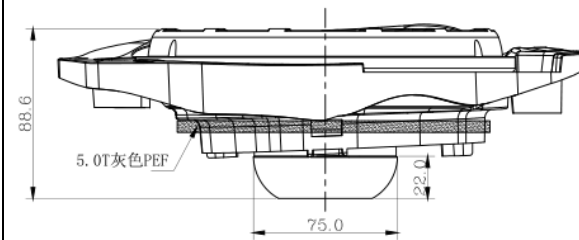
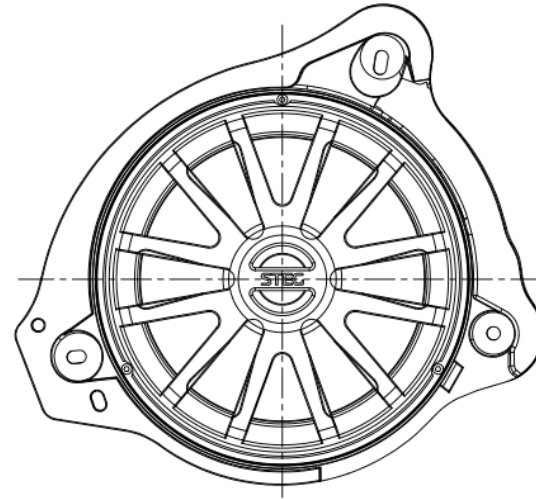
Qes: 0.55

Qts: 0.48

Weight: 1.72(KG)

Mounting Depth: 72 mm

Mounting Diameter: 195mm



Speaker Model: BZW80R

Cone material: Special Paper

DCR Impedance: 2.2 Ω

Maximum power Input: 50 W

Frequency Range: 55-1500 Hz

Sensitivity 1W/1M: 90dB

Qms:3.78

Qes:0.55

Qts:0.48

Weight: 1.65(KG)

Mounting Depth: 75 mm

Mounting Diameter: 195mm

